

Welcome

Thank you very much for purchasing DitoGear™ motion control equipment. We hope that the devices will meet your expectations bringing a great value to your productions.

We really strive for delivering the best unboxing and equipment usage experience. If we (or someone else) failed at some point, just let us know and we'll do our best to fix it promptly.



Here's where to get started.
» ditogear.com/welcome

More resources

Latest user manuals are available at
» ditogear.com/user-manuals

For advanced connection diagrams check
» ditogear.com/charts

In case you need further assistance contact us at
» ditogear.com/support

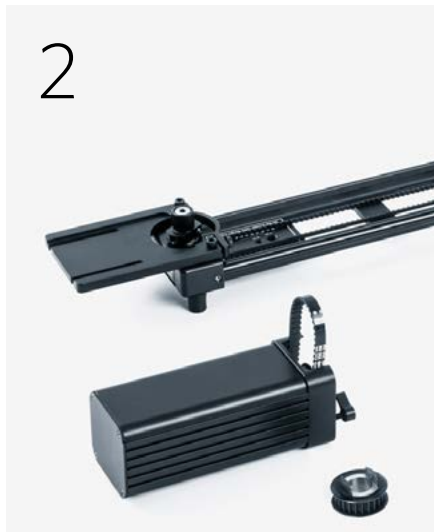
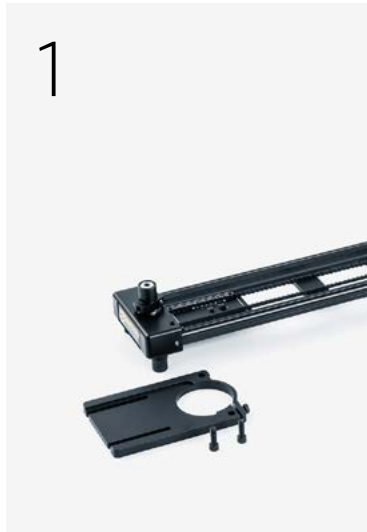
Installing MotionKit on Kessler Pocket Dolly®

1. Place the MotionKit baseplate on the slider and fix it with 2 bolts.
2. Place the traction belt loop onto the motor gear loosely and place the motor on the baseplate by sliding it into the machined slots.

3. Mount the gear on the shaft and put the belt loop around the gear.
4. Fasten the belt by sliding the motor unit outwards and fix it in place using the bolts underneath the baseplate.

The same instructions apply to:

Kessler Pocket Dolly® Standard
Kessler Pocket Dolly® Traveler
Kessler Pocket Dolly® Mini



Installing MotionKit on Kessler CineSlider™

1. Place the MotionKit baseplate on the slider and fix it with a bolt as shown on the picture.
2. Place the traction belt loop on the gear of the motor unit.

3. Place the motor on the baseplate by sliding it into the machined slots. Mount the gear on the shaft and put the belt loop around the gear. Fix the gear to the shaft with the knob.
4. Fasten the belt by sliding the motor unit outwards and fix it in place using the bolts underneath the baseplate.

Use the same instructions for Kessler Stealth™ and Kessler Philip Bloom Pocket Dolly®



1. Signal cable

Connect an RJ45 type signal cable to the MotionKit Motor and to the Output port of a DitoGear™ Breakout Box.

2. Controller

Connect an RJ45 type signal cable to OmniController or other controller of your choice and to Input 1 port of the Breakout Box.

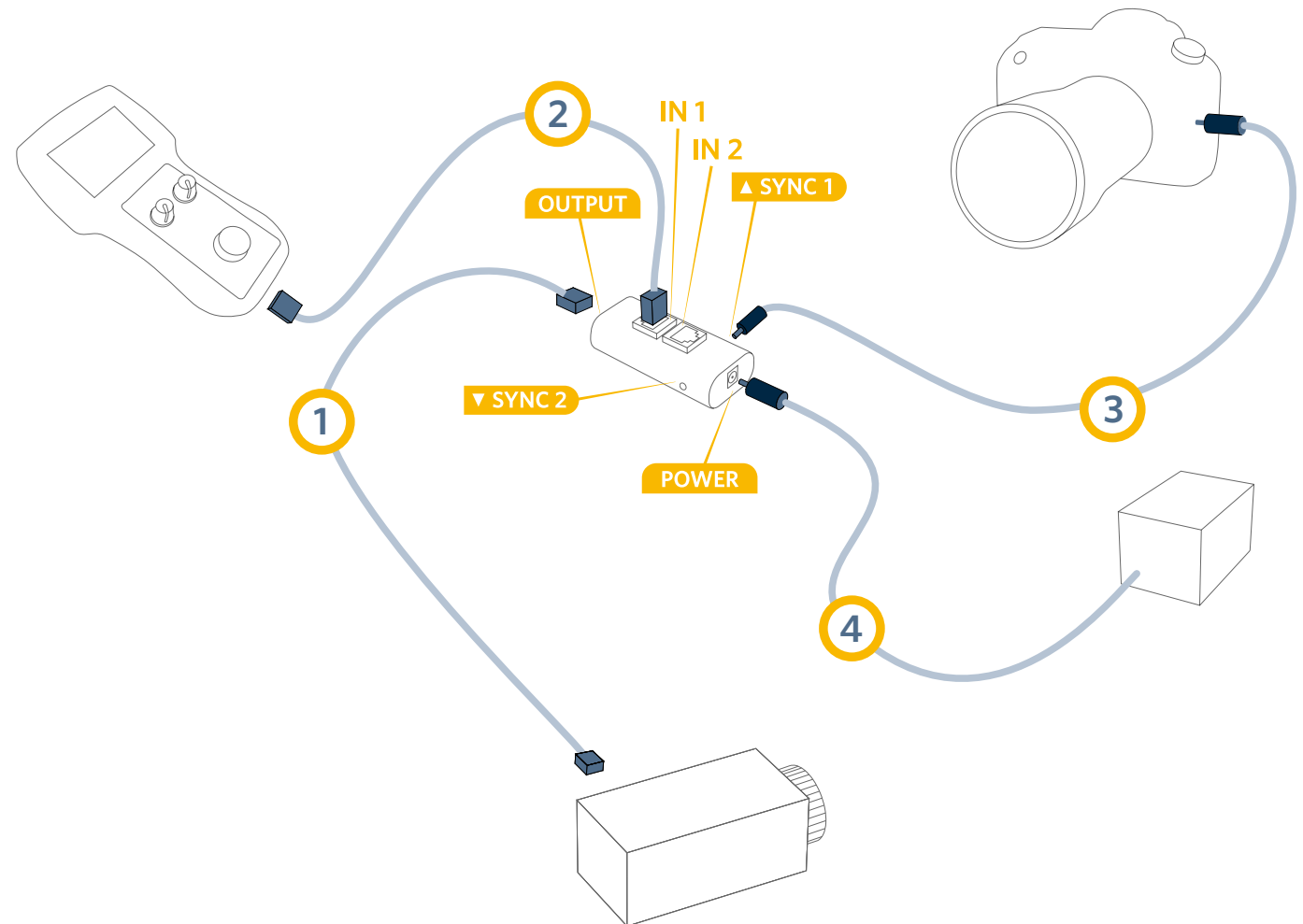
3. Power

Connect the power source - a DitoGear™ Power Pack 7Ah/14Ah, a DitoGear™ AC/DC power adapter or a 3rd party compatible power source to power port of Breakout Box

4. Shutter release cable

Connect a shutter release cable to Sync 1 port (2.5mm micro jack) of the Breakout Box. Connect the other end to your camera.

This step is optional.



1. Controller

Connect BD Controller and MotionKit Motor with RJ45 signal cable

2. Power

Connect the power source - a DitoGear™ Power Pack 7Ah/14Ah, a DitoGear™ AC/DC power adapter or a 3rd party compatible power source directly to BD Controller.

